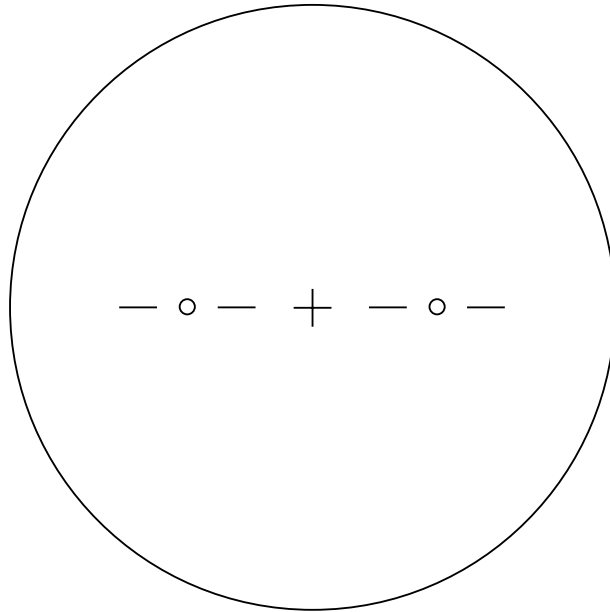


RIGHT EYE  
INK MARKINGS

# CLEARPRO OFFICE LENS MARKING AND ID CHART

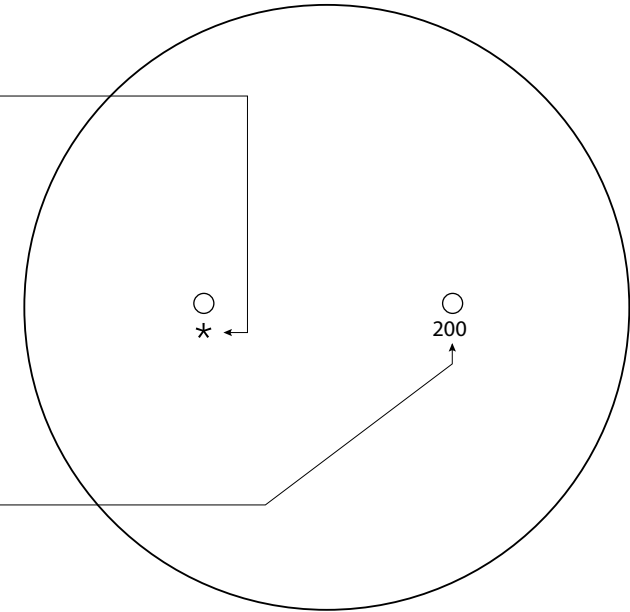
LEFT EYE  
LASER MARKINGS

VIEWING FROM THE FRONT



\* = Refractive index

Material	Marking
1.5	No Mark
1.53	53
1.56	56
1.61	61
1.67	67
1.74	74



Shift power

# CLEARPRO OFFICE CENTRATION CHART

VIEWING FROM THE BACK

LEFT EYE  
80  
78

RIGHT EYE  
80  
78

